



转舌锁系列

Tongue Lock Sries

KS-MS-816-3

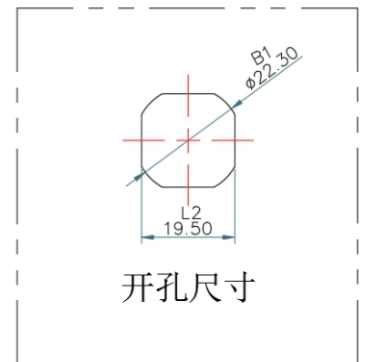
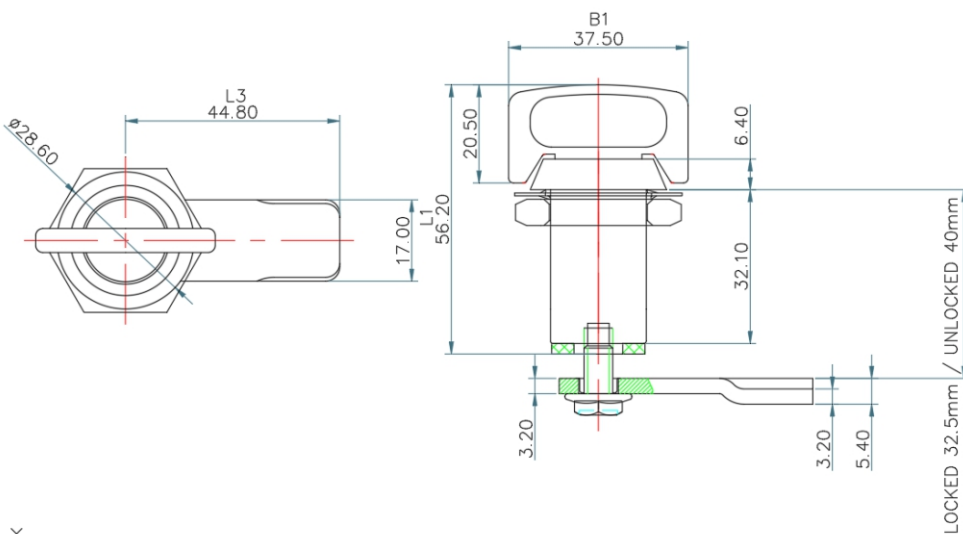
技术参数 Technical Parameter

- ✓ 材质：锌合金锁体/镀锌钢止动垫圈/锁片
- ✓ 表面处理：喷无光黑
- ✓ 适用门板厚度：1-8MM
- ✓ 备注：压缩式门锁，压缩量为7MM
锁芯旋转210°



基本尺寸 Basic dimensions					产品型号 PRODUCT
L1	L2	L3	B1	B2	KL-KS-816-3
56.2	19.5	44.8	37.5	∅22.3	

产品尺寸图 Product size



Communicate with you and me for a win-win future



+8615606777659

52712012@qq.com

浙江省温州市乐清市柳市镇岐头一村岐富路85号
No. 85, Qifu Road, Qitou First Village,
Yueqing City, Wenzhou City, Zhejiang Province

+86057762250322

https://kailangsuoye.1688.com