



转舌锁系列

Tongue Lock Sries

KS-MS-705-6

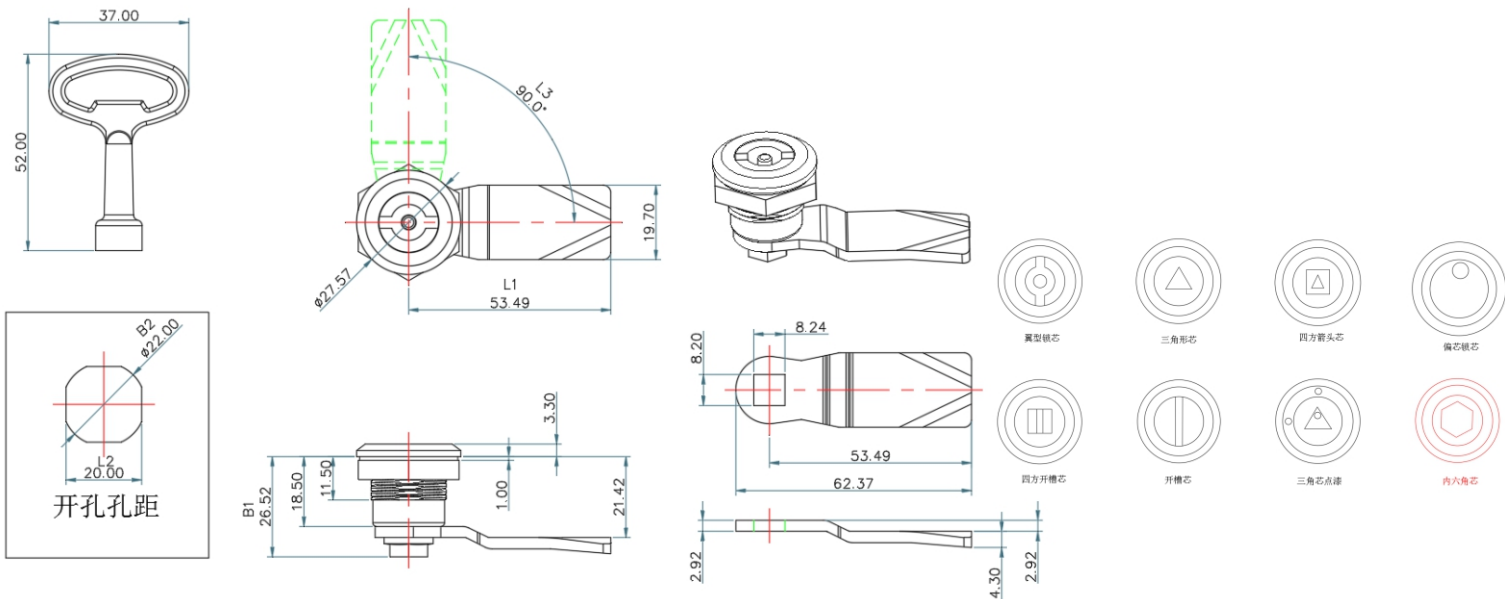
技术参数 Technical Parameter

- ✓ 材质：锌合金锁壳、锁芯/镀锌刚柱
- ✓ 表面处理：镀亮铬/喷塑黑
- ✓ 锁片及附件表面处理：镀蓝白锌可（盐雾测试72小时）
- ✓ 防水等级：IP65



基本尺寸 Basic dimensions					产品型号 PRODUCT
L1	L2	L3	B1	B2	KL-KS-705-6
53.49	20	=90°	26.52	Ø22	

产品尺寸图 Product size



Communicate with you and me for a win-win future



+8615606777659



52712012@qq.com



浙江省温州市乐清市柳市镇岐头一村岐富路85号
No. 85, Qifu Road, Qitou First Village,
Yueqing City, Wenzhou City, Zhejiang Province

+86057762250322



https://kailangsuoye.1688.com