



铰链系列

Hinge Series

CL-6060-C

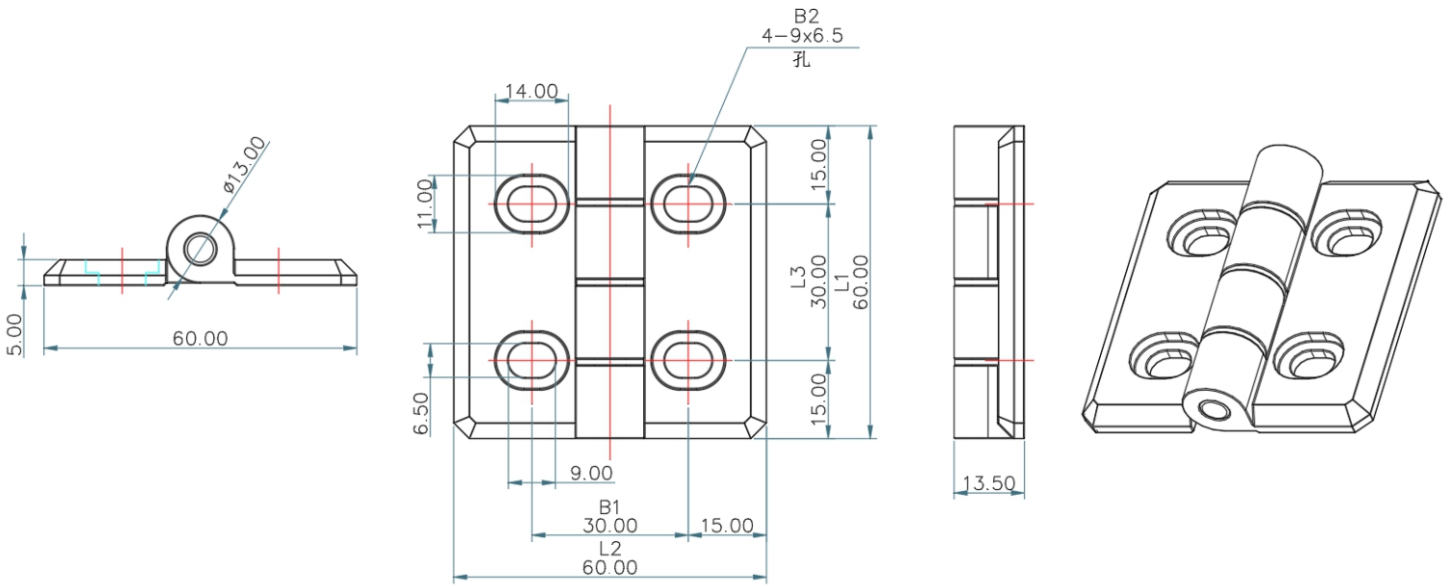
技术参数 Technical Parameter

- ✓ 材质: 锌合金铰链/304不锈钢销子
- ✓ 表面处理: 喷塑黑/镀沙铬/镀亮铬/电泳黑/喷漆黑
- ✓ 防水等级: IP65
- ✓ 备注: 垫片可用不锈钢垫片/塑料垫片



| 基本尺寸 Basic dimensions | | | | | 产品型号 PRODUCT |
|--------------------------|----|----|----|---------|-----------------|
| L1 | L2 | L3 | B1 | B2 | KL-CL-6060-C |
| 60 | 60 | 30 | 30 | 4-9x6.5 | |

产品尺寸图 Product size



Communicate with you and me for a win-win future



+8615606777659



52712012@qq.com



浙江省温州市乐清市柳市镇岐头一村岐富路85号
No. 85, Qifu Road, Qitou First Village,
Yueqing City, Wenzhou City, Zhejiang Province



+86057762250322



<https://kailangsuoye.1688.com>