

平面锁系列

Flat lock series

MS-818

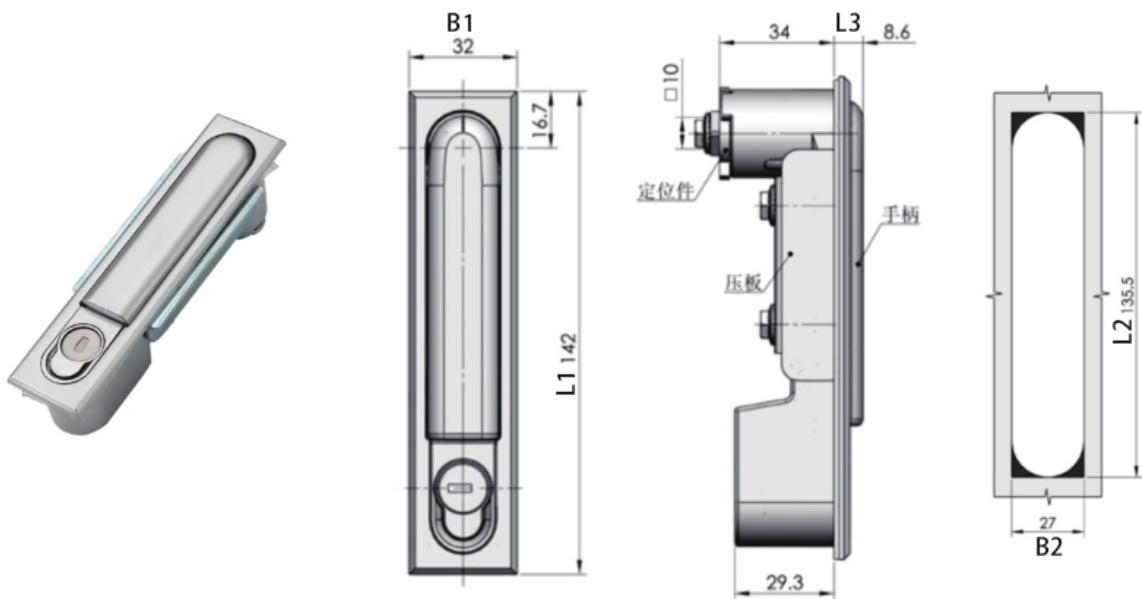
技术参数 Technical Parameter

- ✓ 材质: 锌合金锁体、转轴、镀锌压板、锁片
- ✓ 表面处理: 喷塑黑淡光/纳米哑光
- ✓ 适用门板厚度: < 10MM 或关闭
- ✓ 防水等级: IP65



基本尺寸 Basic dimensions					产品型号 PRODUCT
L1	L2	L3	B1	B2	KL-MS-818
142	135.5	42.6	32	27	

产品尺寸图 Product size



Communicate with you and me for a win-win future



+8615606777659



52712012@qq.com



浙江省温州市乐清市柳市镇岐头一村岐富路85号
No. 85, Qifu Road, Qitou First Village,
Yueqing City, Wenzhou City, Zhejiang Province



+86057762250322



<https://kailangsuoye.1688.com>